



CANADIAN BEVERAGE SUPPLY INC.

# CHILL-MAX™ POWER PACK

3/4 HP 2-Pump 6138 BTU's

PROJECT NAME

MODEL SPECIFIED **CHILLMAX 3/4HP 2-PUMP 6138 BTU**

PRODUCT CODE **BB991085**

LOCATION

QUANTITY

APPROVAL



PRODUCT CODE# BB991085



## KEY FEATURES

- Brand name Solid State Compressor/ Condenser producing industry leading BTU output
- Rugged & light weight polymer bath for easy installation
- Thermally Efficient Bath for operating efficiency
- Digital thermostat accuracy and performance
- Lift off Top Deck for easy serviceability
- NEMA 5-15 plug in for low cost electrical installation
- Multiple rotary vane pump configuration available

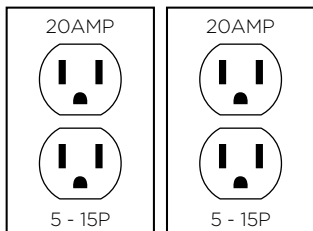


## OPTIONS & ACCESSORIES

- Wall Mount Shelf (NSF)
- Floor Stand (NSF)

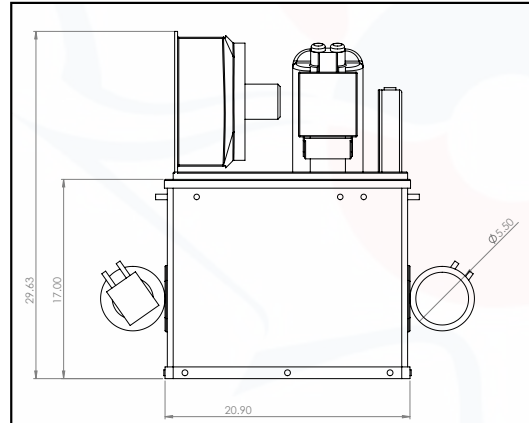
**MODEL SPECIFICATIONS**

MODEL	BEF-075
BTUS/H (EVAP. @90F)	6138
PUMP FLOW (GPH)	75
COMPRESSOR FLOW (HP)	3/4
VOLTAGE (V) - 60HZ	120
PLUG TYPE	NEMA 5-15P, 2 Dedicated Circuit; 120V, 20A, 1Ph, 60Hz
AMPS (A) - CHILLER (RUNNING)	9.5
MIN. CIRCUIT AMPACITY (A) - CHILLER	13.5
MAX. CIRCUIT AMPACITY (A) - CHILLER	20
AMPS (A) - CIRCUIT CAPACITY (A) CIRCULATION MOTOR/ PUMP (RUNNING)	6.0
RECOMMENDED CIRCUIT AMPACITY (A) CIRCULATION MOTOR/ PUMP	15.0
REFRIGERANT	R134A
REFRIGERANT CAPACITY (OZ.)	19.5
NORMAL REFRIGERATION OPERATING PRESSURE (PSI)	18(LOW) 150 (HIGH)
COOLING DISTANCE	350
DIMS W" X D" X H"	32" X 18" X 30.0"
DRY WEIGHT (LBS)	164
BATH CAPACITY (US GAL)	17

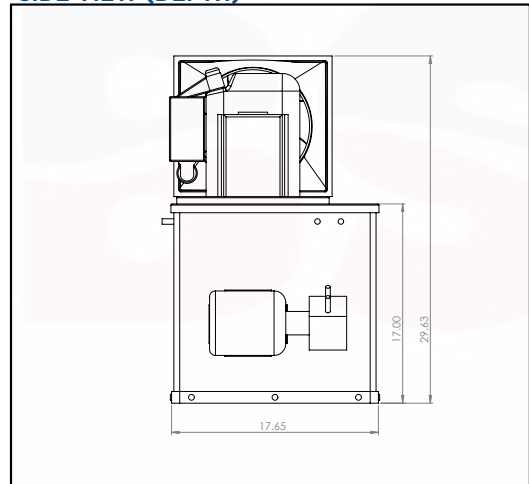


**MODEL VIEWS**

**FRONT VIEW (HEIGHT)**



**SIDE VIEW (DEPTH)**



**TOP VIEW (WIDTH)**

